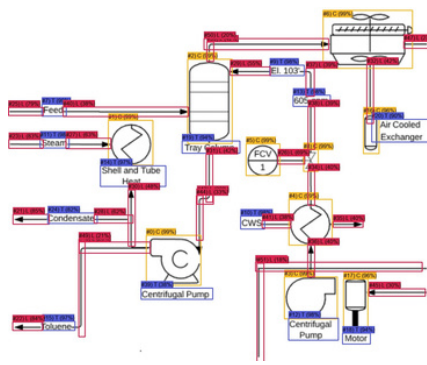
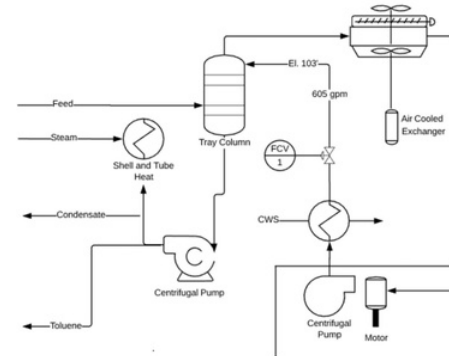


Classify, extracts and digitizes P&ID documents with **FirstStep.ai** Intelligent Document Digitization.

Classify

Our Document Digitization application employs advanced AI technology to accurately classify various technical documents, including P&ID diagrams, wiring diagrams, and building schematics. Our software streamlines document management.

By accurately classifying technical documents, our software enables engineers to easily find and retrieve relevant information for design and maintenance tasks. This improves efficiency and minimizes errors, allowing engineers to focus more on critical tasks and streamline their workflows.



	Component	Conf: 100.0%
	Component	Conf: 99.9%
	Component	Conf: 99.9%
	Component	Conf: 99.8%
Toluene	Toluene	Conf: 99.1%
Motor	Motor	Conf: 99.8%
Tray Column	Tray Column	Conf: 96.6%
Air Cooled Exchanger	Air Cooled Exchanger	Conf: 95.2%
Condensate	Condensate	Conf: 99.7%
Centrifugal Pump	Centrifugal Pump	Conf: 97.6%

Detect & Identify

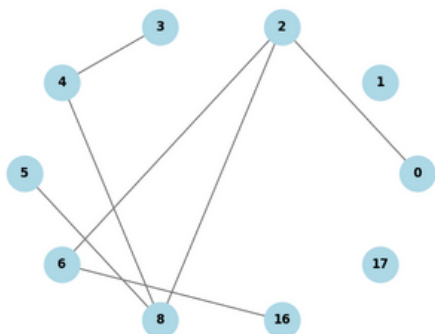
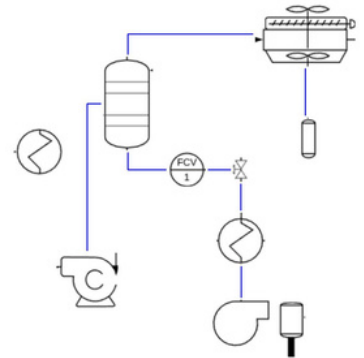
Powerful AI models detect and identify P&ID components, text, and connections with exceptional precision and efficiency. Leveraging a pre-trained AI model that continuously learns from customer data, we ensure optimal performance and adaptability to specific industry requirements.

Our software saves valuable time and effort in identifying components and interpreting connections, leading to more effective troubleshooting and streamlined design processes.

Optimize and Simply

Once components are identified, our software extracts and digitizes them to create a digital representation of the original P&ID diagram. Additionally, the software digitizes the associated text, optimizing connections, and removing unused ones. This results in an updated and simplified P&ID diagram that is easier to navigate and understand.

Our software allows engineers to quickly review updated P&ID diagrams, making it easier to identify changes, and troubleshoot issues.



Knowledge Graphs

Our software connects all the digitized data to a centralized comprehensive knowledge graph. The knowledge graph empowers engineers with a holistic view of their systems, enabling them to understand the relationships between components, access detailed documentation, and make informed decisions during design and maintenance tasks.

Our software eliminates the need for manual searching, saving engineers valuable time and ensuring they have the information they need at their fingertips.